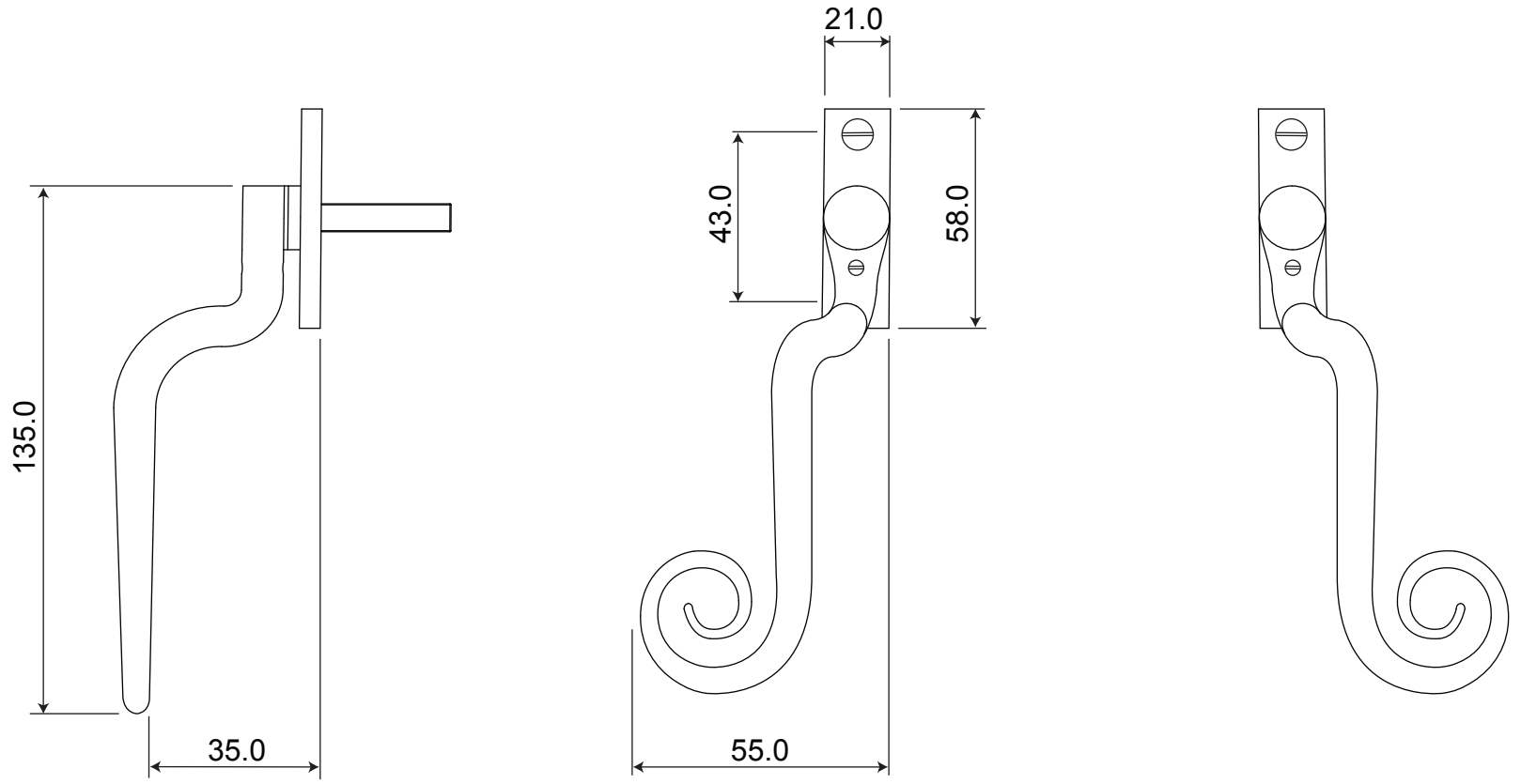


P/N.FB1301R & FB1301L
ALL DIMENSIONS IN MM UNLESS STATED
 THE CONTENTS OF THIS DRAWING ARE COPYRIGHT AND SHOULD NOT BE REPRODUCED WITHOUT THE PERMISSION OF DJH ENGINEERING



					QTY
			DESCRIPTION		DRG.
			Curl Cranked Window Espag.		D. Urwin
			LT REF.	H:\Finess & Stonebridge Handle Hardware\Stonebridge-CAD\ Dim Dwgs\FB1301R&FB1301L.pdf	DATE
1	28/01/19		MATL.	Forged Steel	28/01/19
ISSUE	DATE	REVISION			SCALE
					N/A
					CODE
					FB1301R & FB1301L