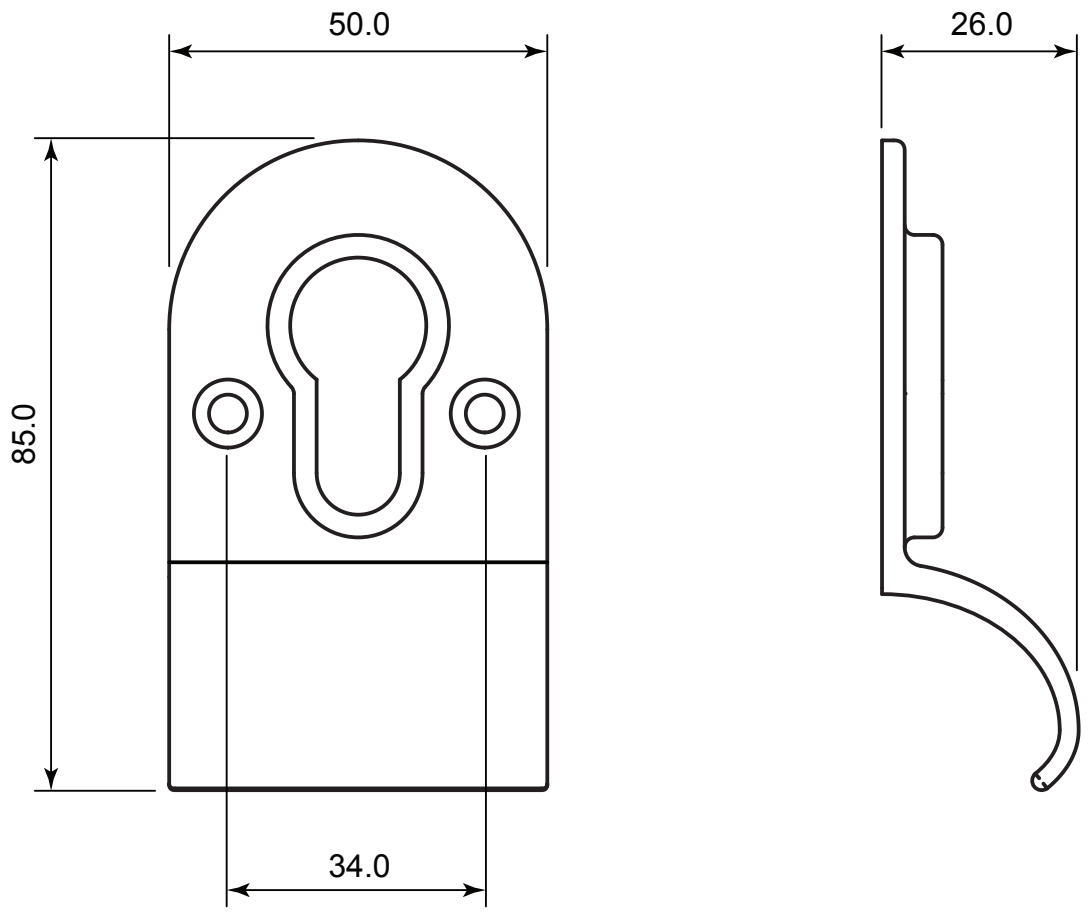


P/N. FB1303 & NFS1102 | ALL DIMENSIONS IN MM UNLESS STATED

THE CONTENTS OF THIS DRAWING ARE COPYRIGHT AND SHOULD NOT BE REPRODUCED WITHOUT THE PERMISSION OF DJH ENGINEERING



						QTY
				<b>DESCRIPTION</b> Euro Cylinder Pull	<b>DRG.</b>	D. Urwin
					<b>DATE</b>	28/01/19
1	28/01/19		<b>LT REF.</b>	H:\Finess & Stonebridge Handle Hardware\Stonebridge-CAD\ Dim Dwgs\FB1303.pdf	<b>SCALE</b>	N/A
<b>ISSUE</b>	<b>DATE</b>	<b>REVISION</b>	<b>MATL.</b>	Forged Steel	<b>CODE</b>	FB1303 & NFS1102