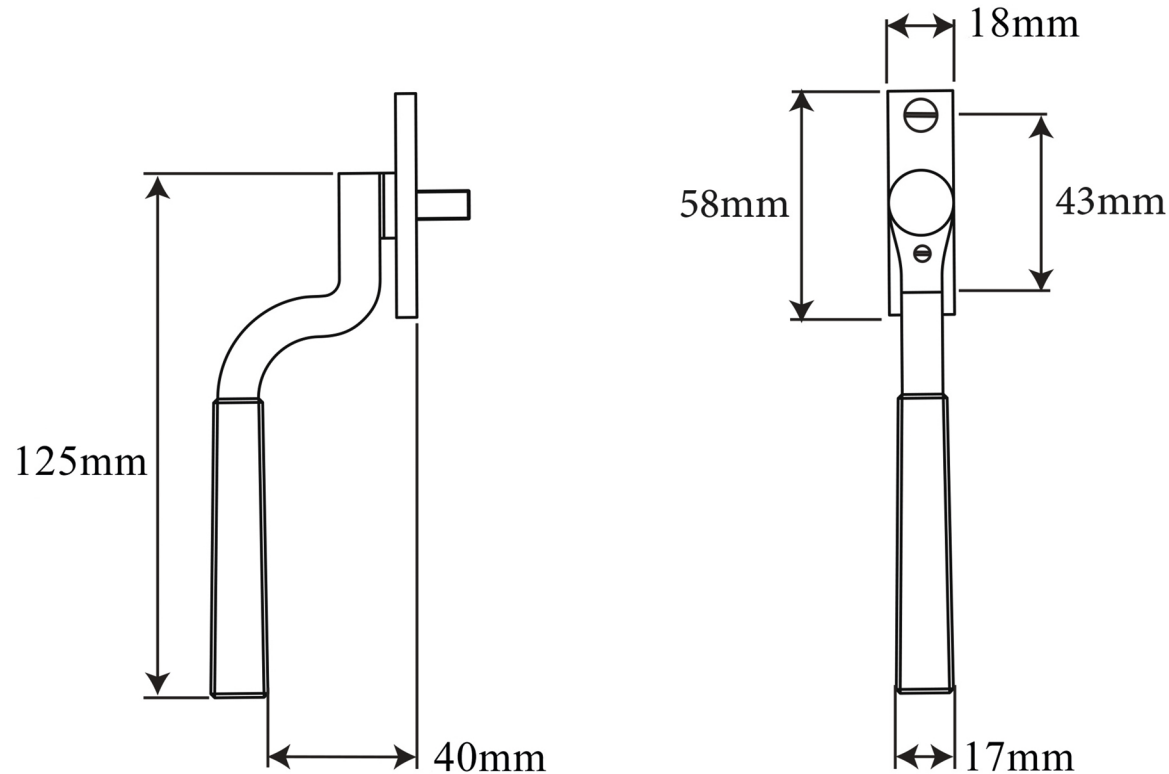


FB1141 & NFS830

ALL DIMENSIONS IN  
MM UNLESS STATED

THE CONTENTS OF THIS DRAWING ARE COPYRIGHT AND SHOULD NOT  
BE REPRODUCED WITHOUT THE PERMISSION OF DJH GROUP LTD



|              |             |  |                                  | QTY  |                 |
|--------------|-------------|--|----------------------------------|--|-----------------|
|              |             | <b>FOR ACTUAL COLOUR REFER TO<br/>MAIN WEB PAGE FOR THIS ITEM.</b> | <b>DESCRIPTION</b>               |  | <b>DRG.</b>     |
|              |             |  | Stonebridge Espagnolette Handle. |  | <b>DATE</b>     |
| 1            | 13/12/18    | <b>COLOUR HERE FOR DIMENSION<br/>PURPOSES ONLY.</b>                | <b>LT REF.</b>                   | H:\Finess & Stonebridge Handle Hardware\Stonebridge-CAD\ Dim Dwgs/.pdf | <b>SCALE</b>    |
| <b>ISSUE</b> | <b>DATE</b> |  | <b>MATL.</b>                     | Forged Steel   | <b>CODE</b>     |
|              |             |  |                                  |  | D. Urwin        |
|              |             |  |                                  |  | 13/12/18        |
|              |             |  |                                  |  | N/A             |
|              |             |  |                                  |  | FB1141 & NFS830 |