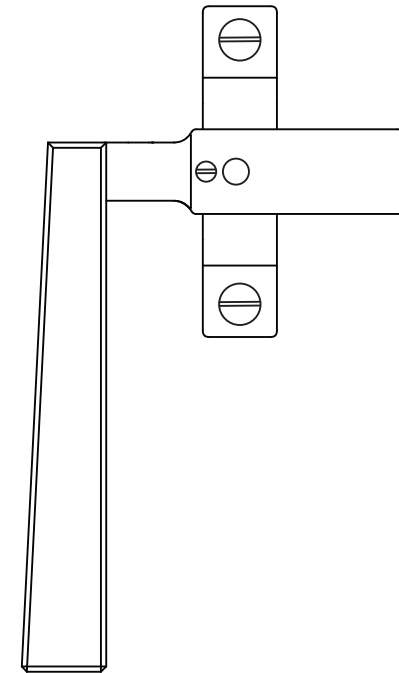
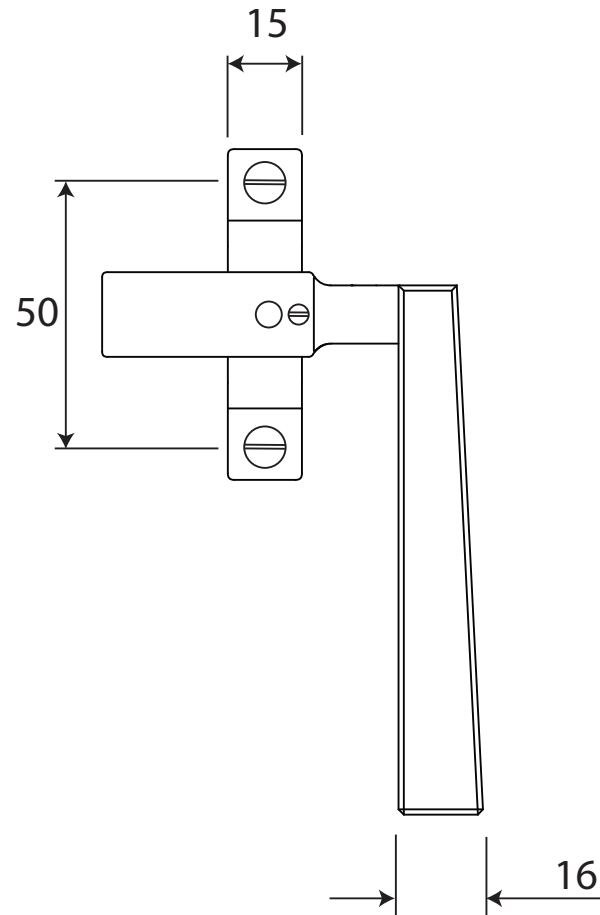
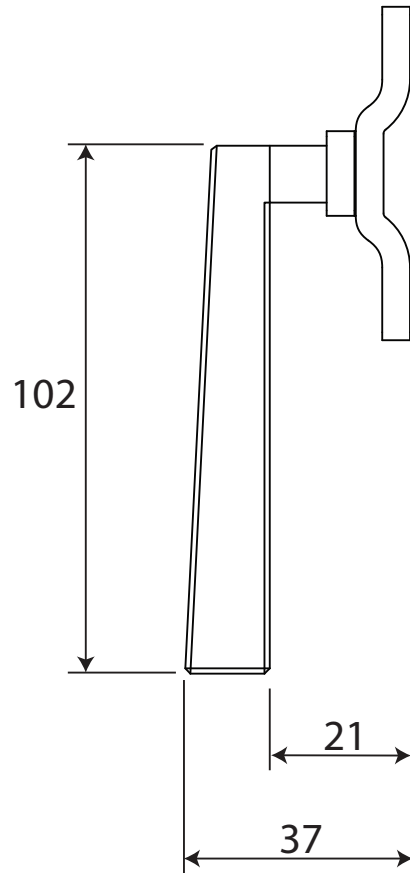


FB1138, FB1139,
NFS824, NFS825

**ALL DIMENSIONS IN
MM UNLESS STATED**

THE CONTENTS OF THIS DRAWING ARE COPYRIGHT AND SHOULD NOT
BE REPRODUCED WITHOUT THE PERMISSION OF DJH GROUP LTD



					QTY
		FOR ACTUAL COLOUR REFER TO MAIN WEB PAGE FOR THIS ITEM.	DESCRIPTION Arundel Casement Fastener		DRG. D. Urwin
		COLOUR HERE FOR DIMENSION PURPOSES ONLY.	LT REF. H:\Finess & Stonebridge Handle Hardware\Stonebridge-CAD\ Dim Dwgs/.pdf		DATE 18/10/18
1	18/10/18		MATL. Forged Steel		SCALE N/A
ISSUE	DATE				CODE FB1138, FB1139, NFS824, NFS825