

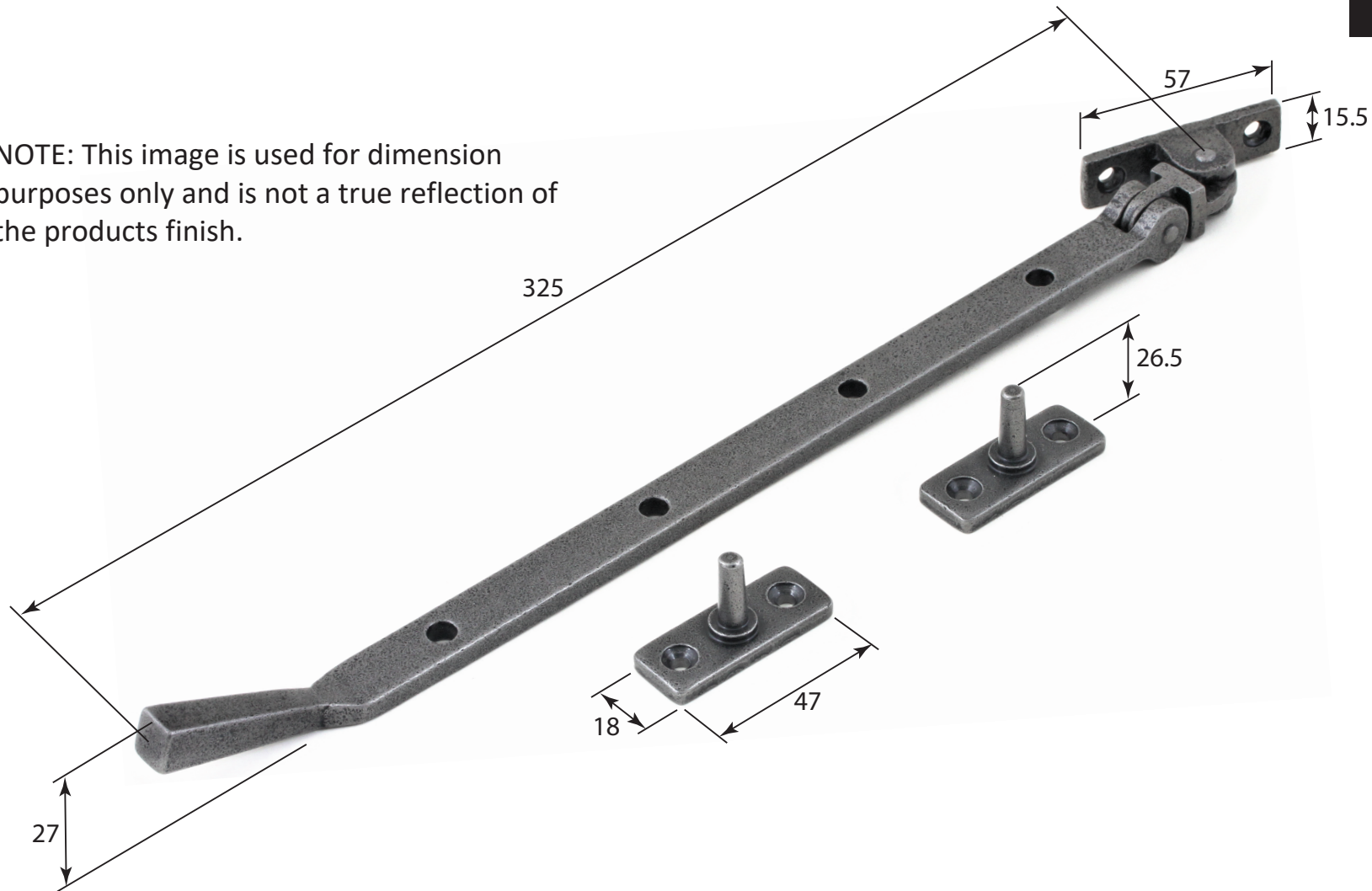
FB1137 & NFS823

ALL DIMENSIONS IN
MM UNLESS STATED

THE CONTENTS OF THIS DRAWING ARE COPYRIGHT AND SHOULD NOT
BE REPRODUCED WITHOUT THE PERMISSION OF DJH GROUP LTD.



NOTE: This image is used for dimension purposes only and is not a true reflection of the products finish.



					QTY
		FOR ACTUAL COLOUR REFER TO MAIN WEB PAGE FOR THIS ITEM.	DESCRIPTION		D. Urwin
			Arundel Window Casement Stay		29/10/18
1	29/10/18	COLOUR HERE FOR DIMENSION PURPOSES ONLY.	LT REF.	H:\Finess & Stonebridge Handle Hardware/Stonebridge-CAD/ Dim Dwgs/pdf	N/A
ISSUE	DATE		MATL.	Forged Steel	CODE