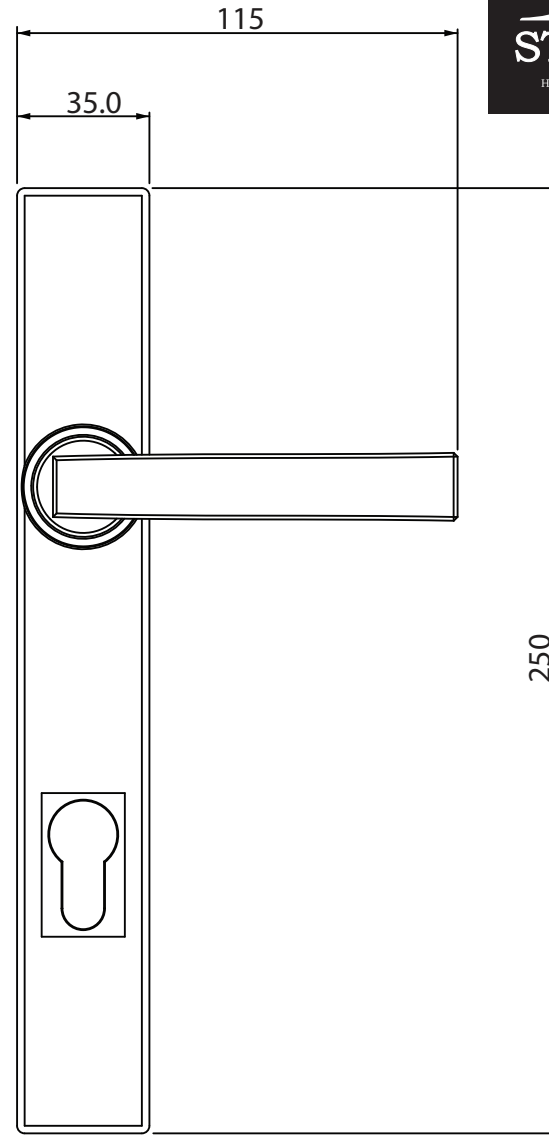
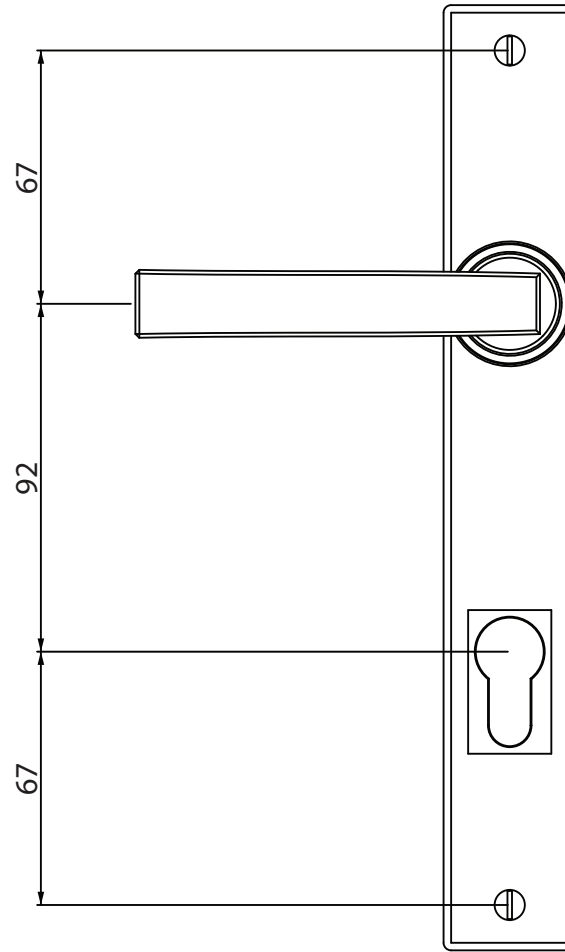
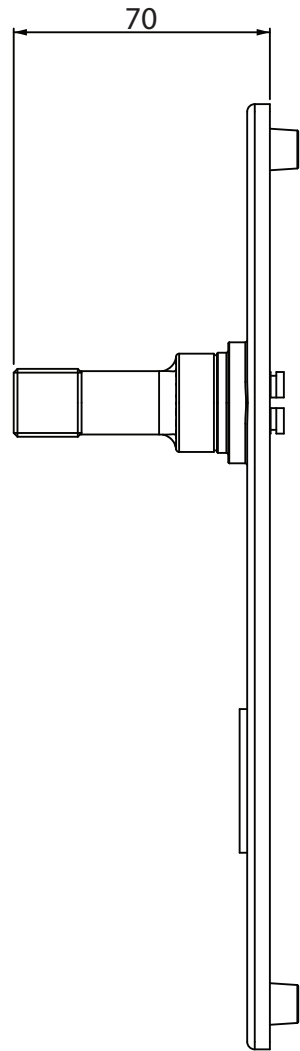


FB1125 & NFS632

ALL DIMENSIONS IN
MM UNLESS STATED

THE CONTENTS OF THIS DRAWING ARE COPYRIGHT AND SHOULD NOT
BE REPRODUCED WITHOUT THE PERMISSION OF DJH GROUP LTD.



QTY

		FOR ACTUAL COLOUR REFER TO MAIN WEB PAGE FOR THIS ITEM.	DESCRIPTION	DRG.	D. Urwin
			Arundel Multipoint Lever - Entry Unsprung	DATE	03/10/18
1	03/10/18	COLOUR HERE FOR DIMENSION PURPOSES ONLY.	LT REF.	SCALE	N/A
ISSUE	DATE		MATL.	CODE	FB1125 & NFS632
			H:\Finess & Stonebridge Handle Hardware/Stonebridge-CAD/ Dim Dwgs/pdf		
			Forged Steel		