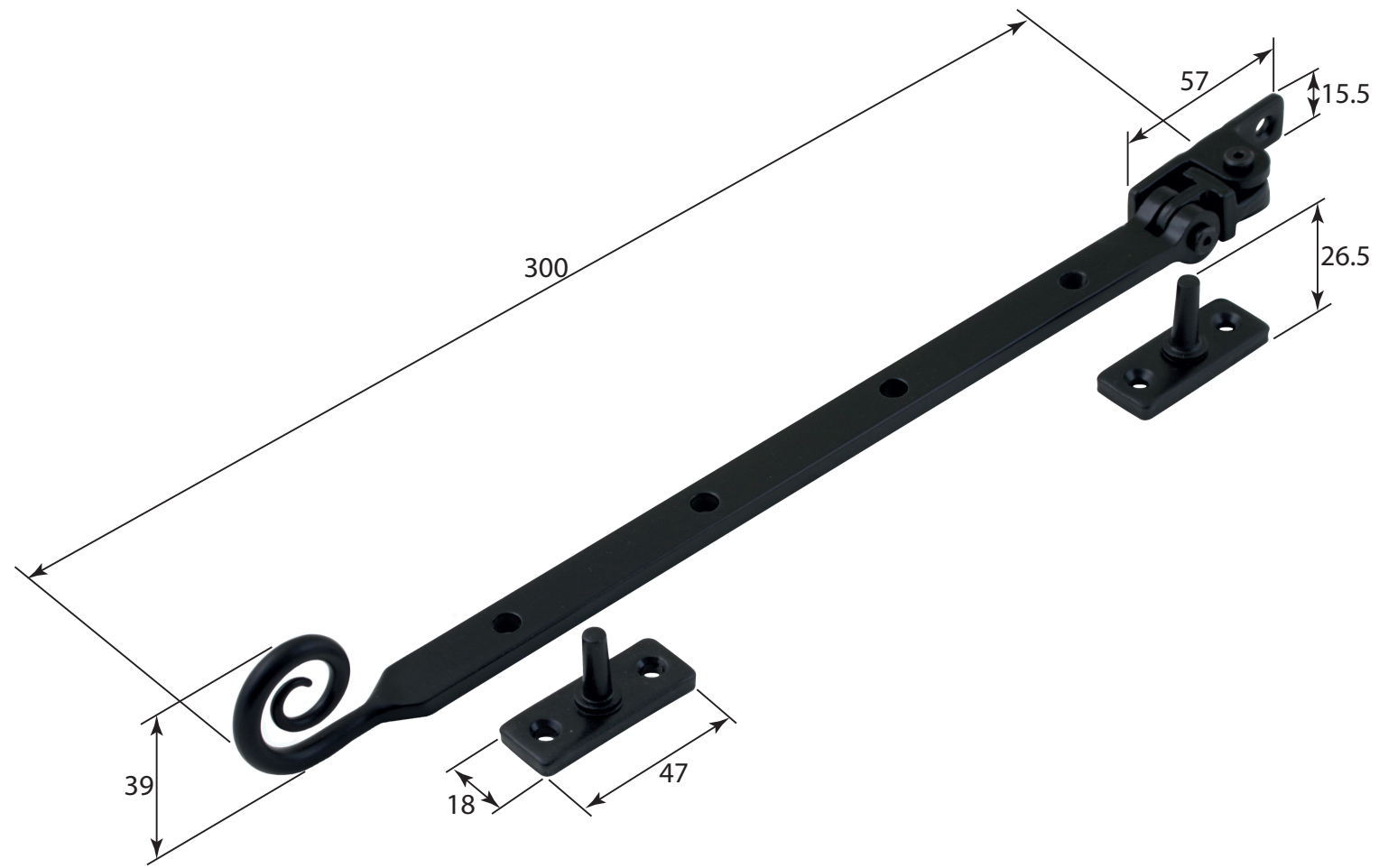


P/N. FB1083 & SS1052 **ALL DIMENSIONS IN MM UNLESS STATED**

THE CONTENTS OF THIS DRAWING ARE COPYRIGHT AND SHOULD NOT BE REPRODUCED WITHOUT THE PERMISSION OF DJH ENGINEERING



**NOTE:** FOR ACTUAL COLOUR REFER TO MAIN WEB PAGE FOR THESE ITEMS. COLOUR SHOWN HERE IS FOR DIMENSION PURPOSES ONLY.

					QTY
			<b>DESCRIPTION</b>		DRG.
			Curl Window Stay		D. Urwin
					DATE
					03/10/18
1	03/10/18		<b>LT REF.</b>	H:\Finess & Stonebridge Handle Hardware\Stonebridge-CAD\ Dim Dwgs\FB1083&SS1052.pdf	SCALE
					N/A
<b>ISSUE</b>	<b>DATE</b>	<b>REVISION</b>	<b>MATL.</b>	Forged Steel	<b>CODE</b>
					FB1083 & NFS1052