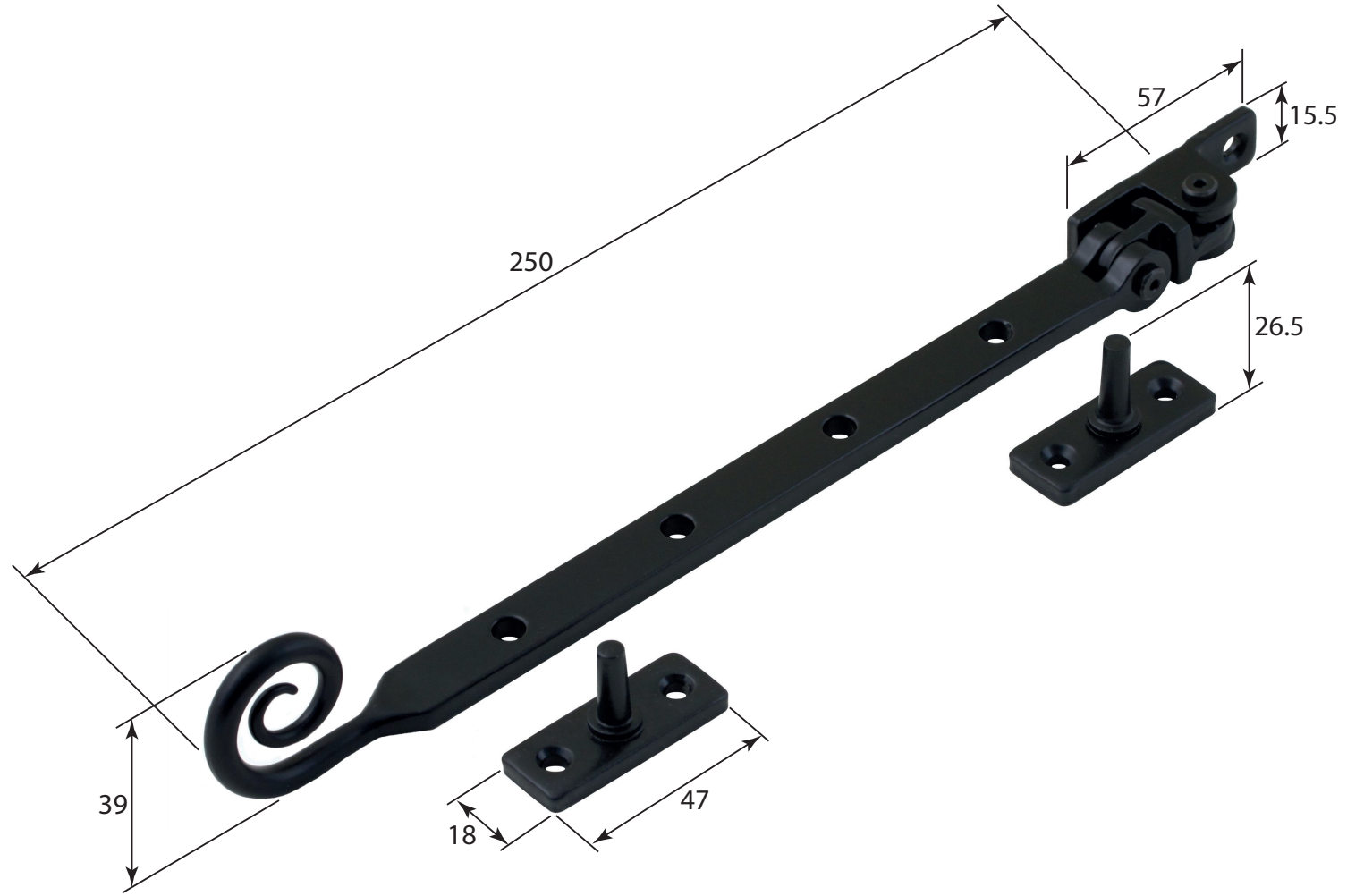


P/N.FB1082 & NFS1051 **ALL DIMENSIONS IN MM UNLESS STATED**
 THE CONTENTS OF THIS DRAWING ARE COPYRIGHT AND SHOULD NOT BE REPRODUCED WITHOUT THE PERMISSION OF DJH ENGINEERING



NOTE: FOR ACTUAL COLOUR REFER TO MAIN WEB PAGE FOR THESE ITEMS. COLOUR SHOWN HERE IS FOR DIMENSION PURPOSES ONLY.

						QTY
				DESCRIPTION	DRG.	D. Urwin
				Curl Window Stay	DATE	03/10/18
1	03/10/18		LT REF.	H:\Finess & Stonebridge Handle Hardware\Stonebridge-CAD\ Dim Dwgs\FB1082&SS1051.pdf	SCALE	N/A
ISSUE	DATE	REVISION	MATL.	Forged Steel	CODE	FB1082 & NFS1051