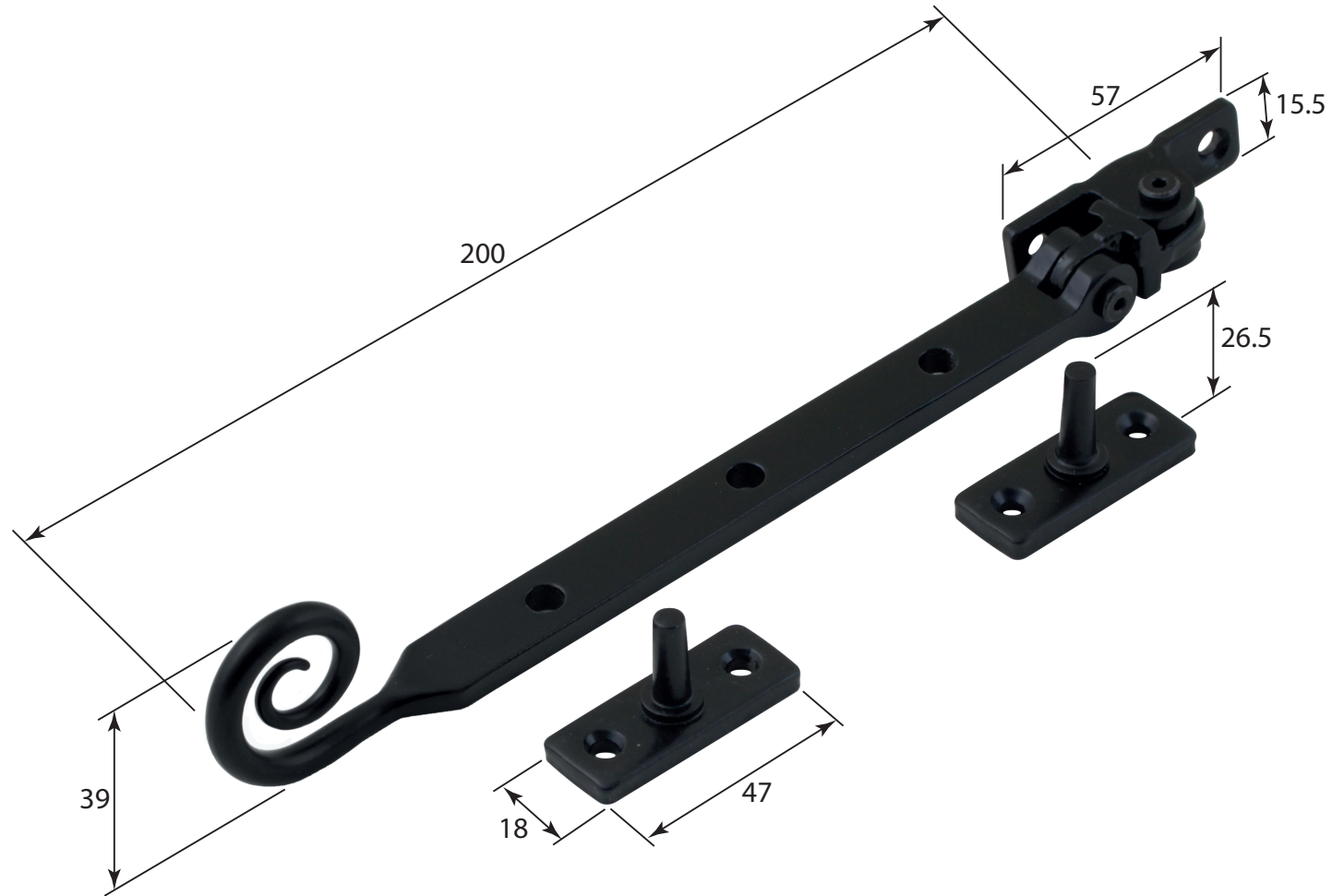


P/N.FB1081 & NFS1050

ALL DIMENSIONS IN
MM UNLESS STATED

THE CONTENTS OF THIS DRAWING ARE COPYRIGHT AND SHOULD NOT BE
REPRODUCED WITHOUT THE PERMISSION OF DJH ENGINEERING



NOTE: FOR ACTUAL COLOUR REFER TO MAIN WEB PAGE FOR THESE ITEMS.
COLOUR SHOWN HERE IS FOR DIMENSION PURPOSES ONLY.

					QTY
			DESCRIPTION		DRG.
			Curl Window Stay		D. Urwin
					DATE
					03/10/18
1	03/10/18		LT REF.	H:\Finess & Stonebridge Handle Hardware\Stonebridge-CAD\ Dim Dwgs\FB1081&SS1050.pdf	SCALE
					N/A
ISSUE	DATE	REVISION	MATL.	Forged Steel	CODE
					FB1081 & NFS1050