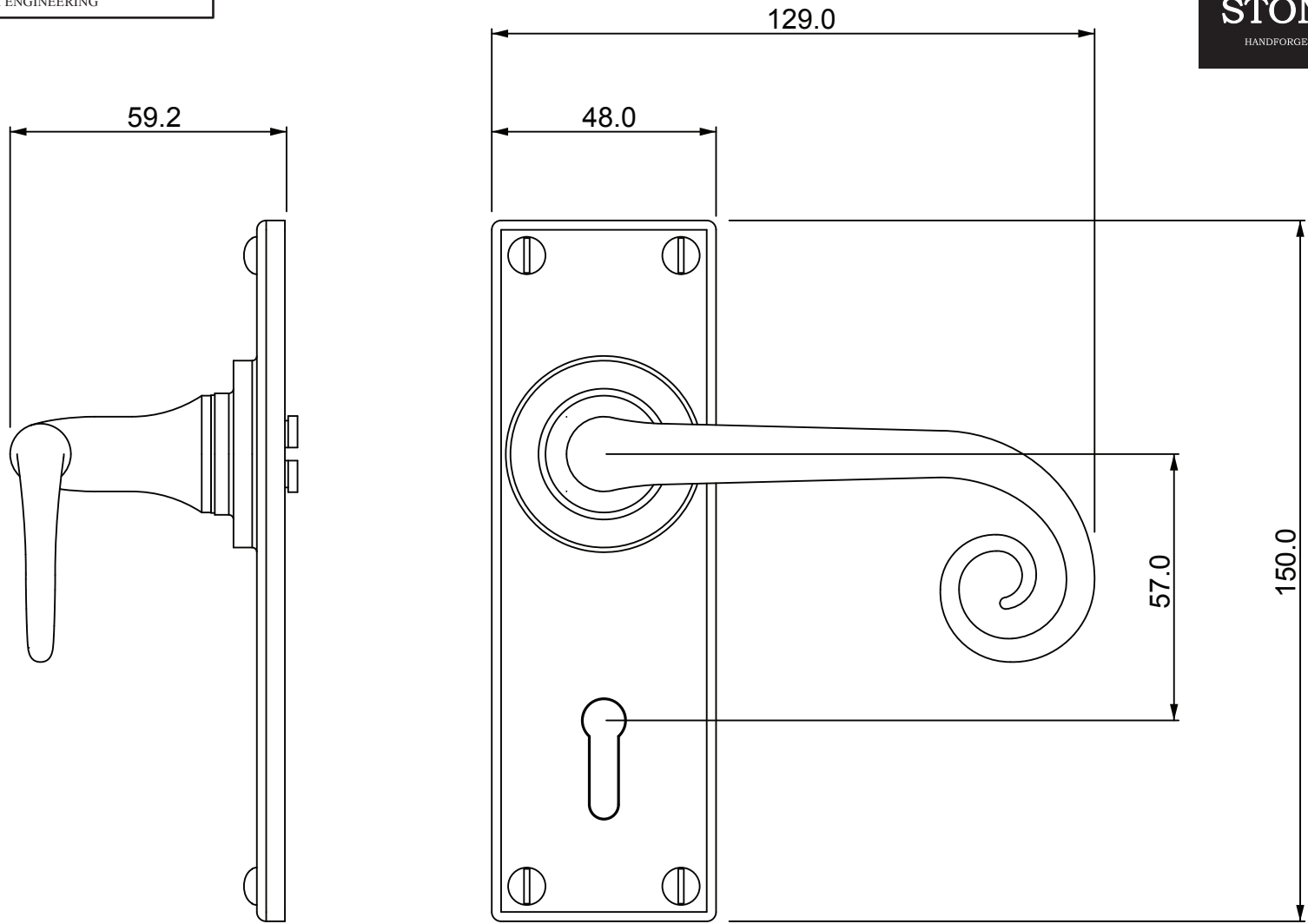


P/N. FB1072 & NFS1059 **ALL DIMENSIONS IN MM UNLESS STATED**
 THE CONTENTS OF THIS DRAWING ARE COPYRIGHT AND SHOULD NOT BE REPRODUCED WITHOUT THE PERMISSION OF DJH ENGINEERING



				QTY	
			DESCRIPTION	DRG.	D. Urwin
			Curl Door Lever - Lock/Keyhole Backplate.	DATE	28/01/19
1	28/01/19		LT REF. H:\Finess & Stonebridge Handle Hardware\Stonebridge-CAD\ Dim Dwgs\FB1072.pdf	SCALE	N/A
ISSUE	DATE	REVISION	MATL. Forged Steel	CODE	FB1072 & NFS1059