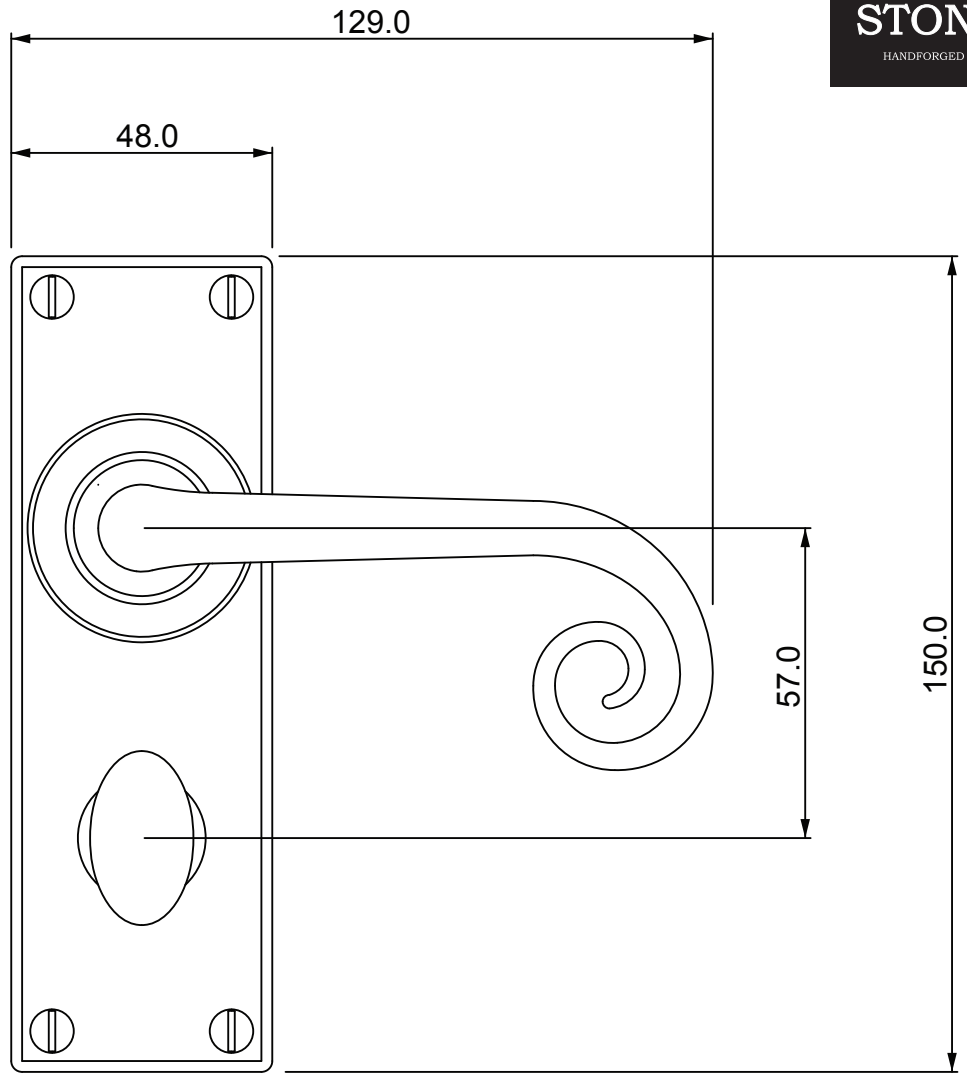
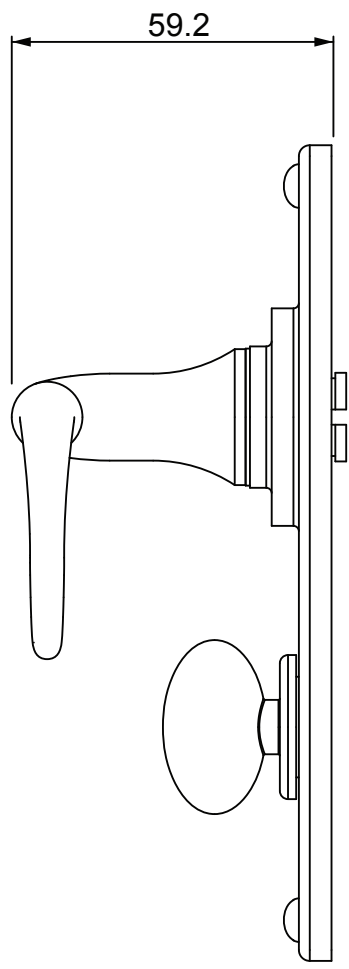


P/N. FB1071 & NFS1058 **ALL DIMENSIONS IN MM UNLESS STATED**
 THE CONTENTS OF THIS DRAWING ARE COPYRIGHT AND SHOULD NOT BE REPRODUCED WITHOUT THE PERMISSION OF DJH ENGINEERING



					QTY
			DESCRIPTION		DRG. D. Urwin
			Curl Door Lever - Bathroom Backplate.		DATE 28/01/19
1	28/01/19		LT REF.	H:\Finess & Stonebridge Handle Hardware/Stonebridge-CAD/ Dim Dwgs/FB1071.pdf	SCALE N/A
ISSUE	DATE	REVISION	MATL.	Forged Steel	CODE FB1071 & NFS1058