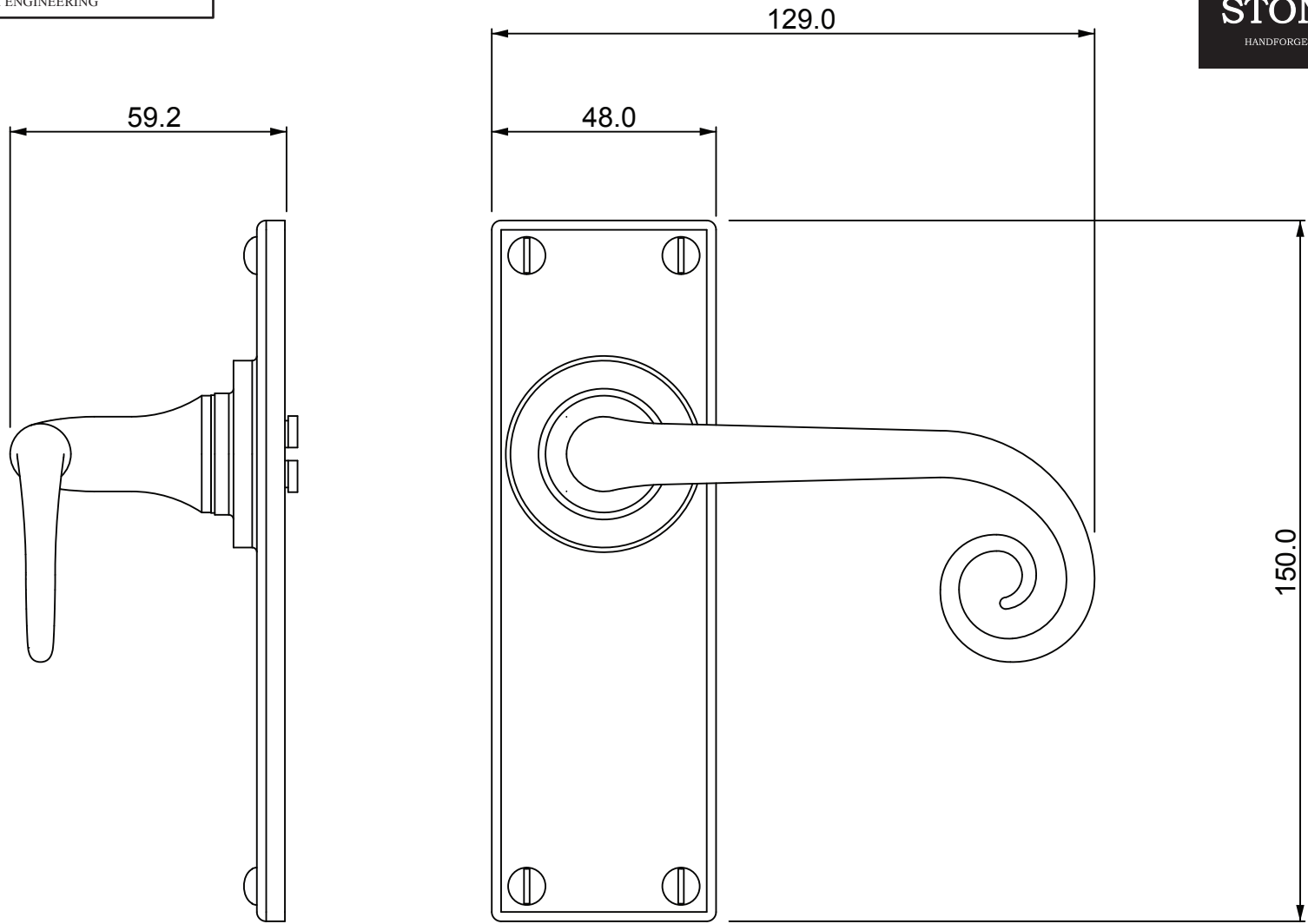


P/N. FB1070 & NFS1057 **ALL DIMENSIONS IN MM UNLESS STATED**
 THE CONTENTS OF THIS DRAWING ARE COPYRIGHT AND SHOULD NOT BE REPRODUCED WITHOUT THE PERMISSION OF DJH ENGINEERING



					QTY
			DESCRIPTION		DRG. D. Urwin
			Curl Door Lever - Latch/Passage Backplate.		DATE 28/01/19
1	28/01/19		LT REF.	H:\Finess & Stonebridge Handle Hardware\Stonebridge-CAD\ Dim Dwgs\FB1070.pdf	SCALE N/A
ISSUE	DATE	REVISION	MATL.	Forged Steel	CODE FB1070 & NFS1057