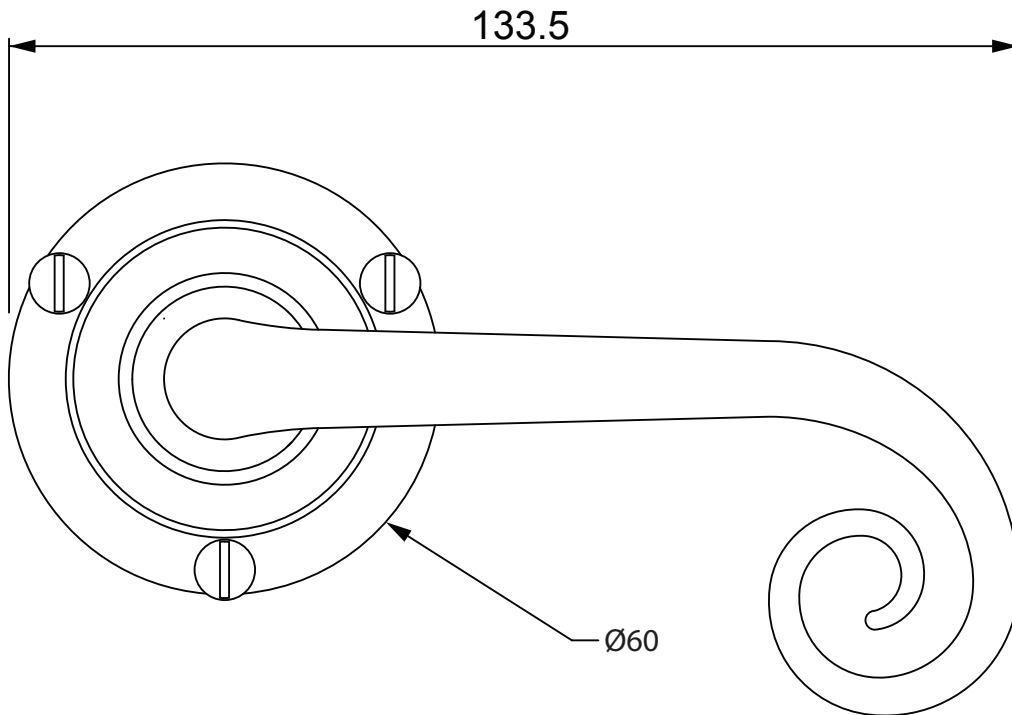
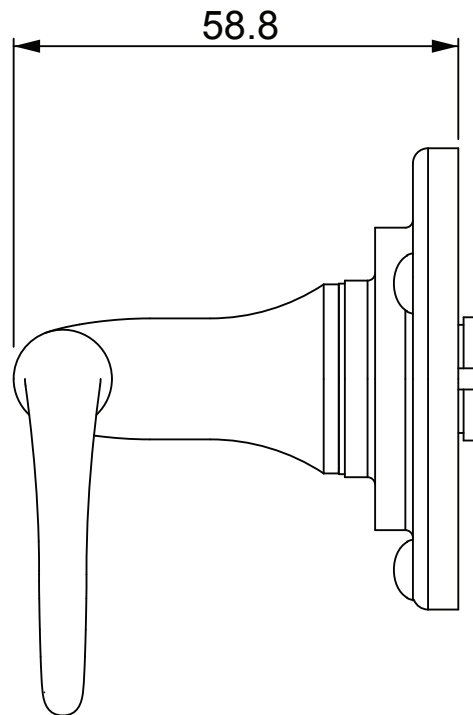


P/N. FB1068 & NFS1055

ALL DIMENSIONS IN  
MM UNLESS STATED

THE CONTENTS OF THIS DRAWING ARE COPYRIGHT AND SHOULD NOT BE  
REPRODUCED WITHOUT THE PERMISSION OF DJH ENGINEERING



					QTY
			<b>DESCRIPTION</b>		<b>DRG.</b> D. Urwin
			Curl Door Lever - Round Rose		<b>DATE</b> 28/01/19
1	28/01/19		<b>LT REF.</b>	H:\Finess & Stonebridge Handle Hardware/Stonebridge-CAD/ Dim Dwgs/FB1068.pdf	<b>SCALE</b> N/A
<b>ISSUE</b>	<b>DATE</b>	<b>REVISION</b>	<b>MATL.</b>	Forged Steel	<b>CODE</b> FB1068 & NFS1055