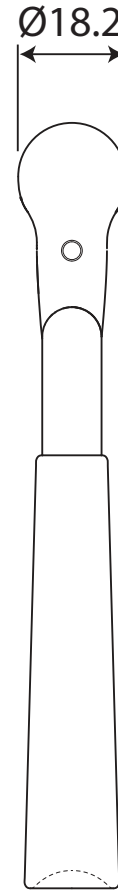
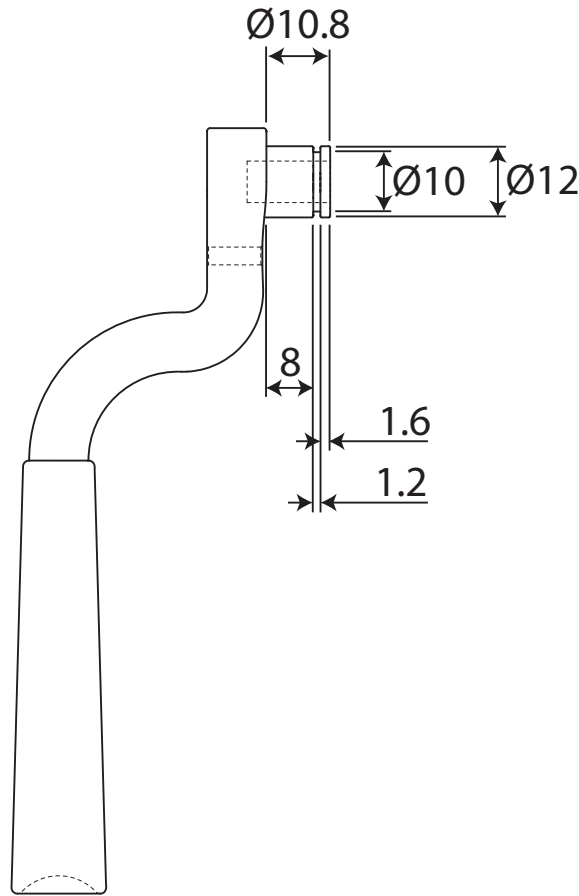
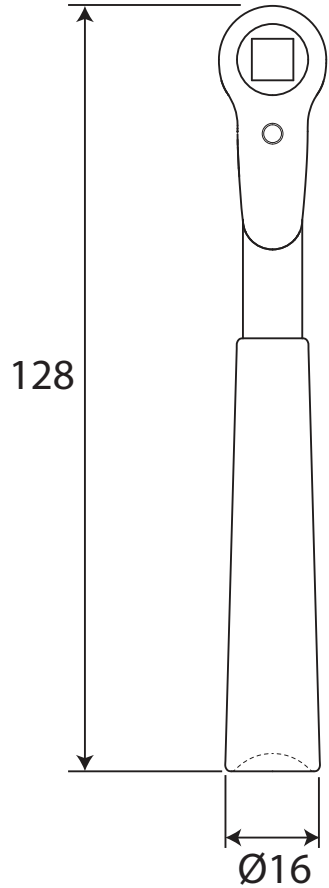


FB1140 & SS829

ALL DIMENSIONS IN
MM UNLESS STATED

THE CONTENTS OF THIS DRAWING ARE COPYRIGHT AND SHOULD NOT
BE REPRODUCED WITHOUT THE PERMISSION OF DJH GROUP LTD



				QTY	
		FOR ACTUAL COLOUR REFER TO MAIN WEB PAGE FOR THIS ITEM.	DESCRIPTION		DRG.
			Cotswold Window Espagnolette		DATE
1	13/12/18	COLOUR HERE FOR DIMENSION PURPOSES ONLY.	LT REF.	H:\Finiss & Stonebridge Handle Hardware\Stonebridge-CAD\ Dim Dwgs/pdf	SCALE
ISSUE	DATE		MATL.	Forged Steel	CODE
					D. Urwin 13/12/18 N/A FB1140 & SS829