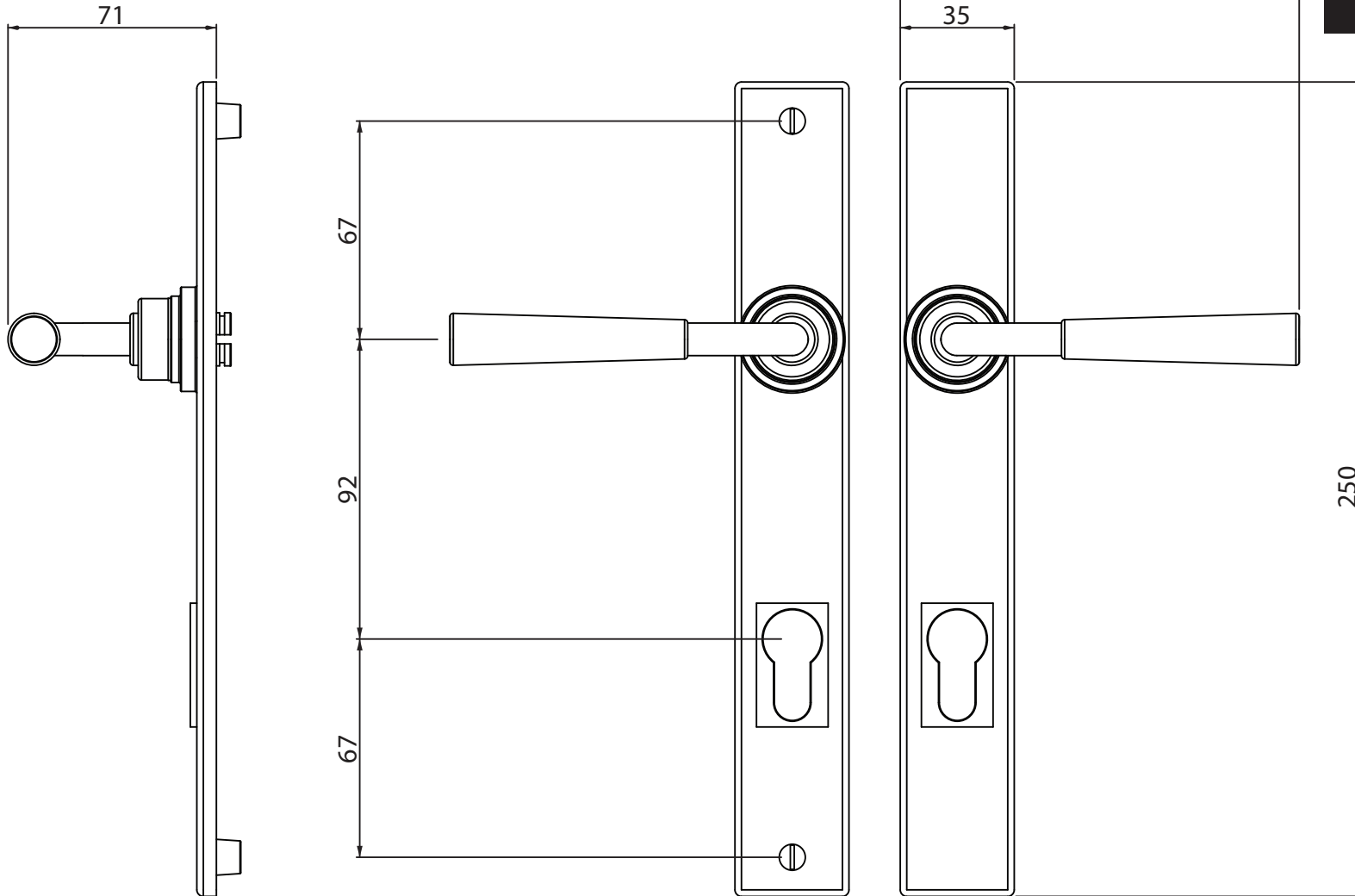


FB1115 & SS614

ALL DIMENSIONS IN  
MM UNLESS STATED

THE CONTENTS OF THIS DRAWING ARE COPYRIGHT AND SHOULD NOT  
BE REPRODUCED WITHOUT THE PERMISSION OF DJH GROUP LTD.



QTY

		<b>FOR ACTUAL COLOUR REFER TO MAIN WEB PAGE FOR THIS ITEM.</b>	<b>DESCRIPTION</b>	<b>DRG.</b>	D. Urwin
			Cotswold Multipoint - Entry Unsprung	<b>DATE</b>	03/10/18
1	03/10/18	<b>COLOUR HERE FOR DIMENSION PURPOSES ONLY.</b>	<b>LT REF.</b>	<b>SCALE</b>	N/A
<b>ISSUE</b>	<b>DATE</b>		<b>MATL.</b>	<b>CODE</b>	FB1115 & SS614
			H:\Finess & Stonebridge Handle Hardware/Stonebridge-CAD/ Dim Dwgs/.pdf		
			Forged Steel		