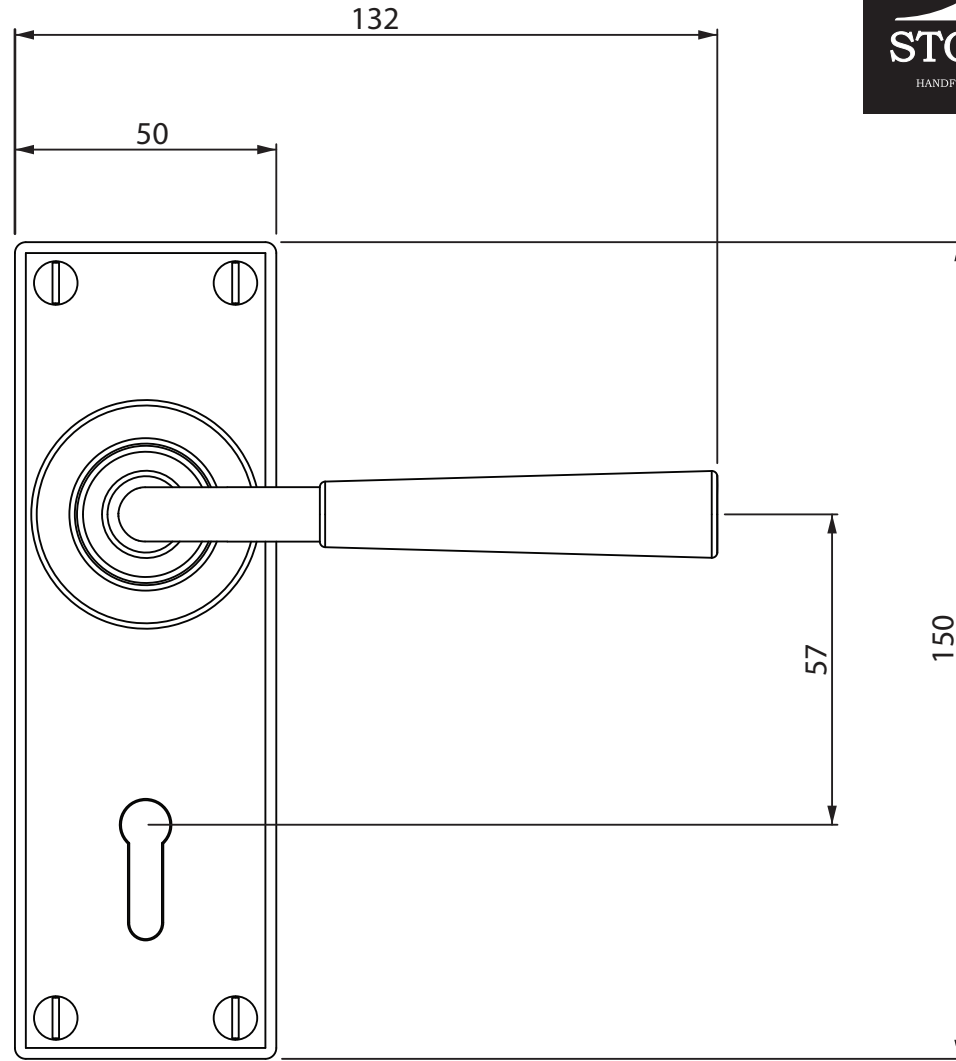
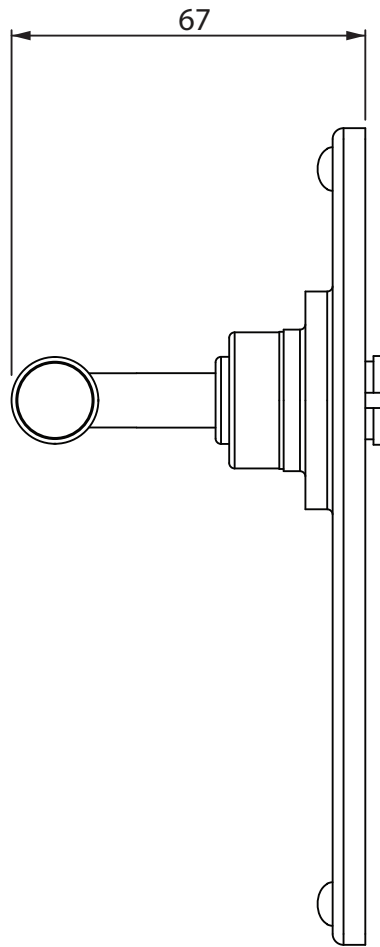


FB1114 & SS613

ALL DIMENSIONS IN  
MM UNLESS STATED

THE CONTENTS OF THIS DRAWING ARE COPYRIGHT AND SHOULD NOT  
BE REPRODUCED WITHOUT THE PERMISSION OF DJH GROUP LTD.



				QTY	
		<b>FOR ACTUAL COLOUR REFER TO MAIN WEB PAGE FOR THIS ITEM.</b>	<b>DESCRIPTION</b>		<b>DRG.</b>
			Cotswold Lever - Lock/Keyhole Backplate		<b>DATE</b>
1	03/10/18	<b>COLOUR HERE FOR DIMENSION PURPOSES ONLY.</b>	<b>LT REF.</b>	H:\Finess & Stonebridge Handle Hardware/Stonebridge-CAD/ Dim Dwgs/pdf	<b>SCALE</b>
<b>ISSUE</b>	<b>DATE</b>		<b>MATL.</b>	Forged Steel	<b>CODE</b>
					FB1114 & SS613