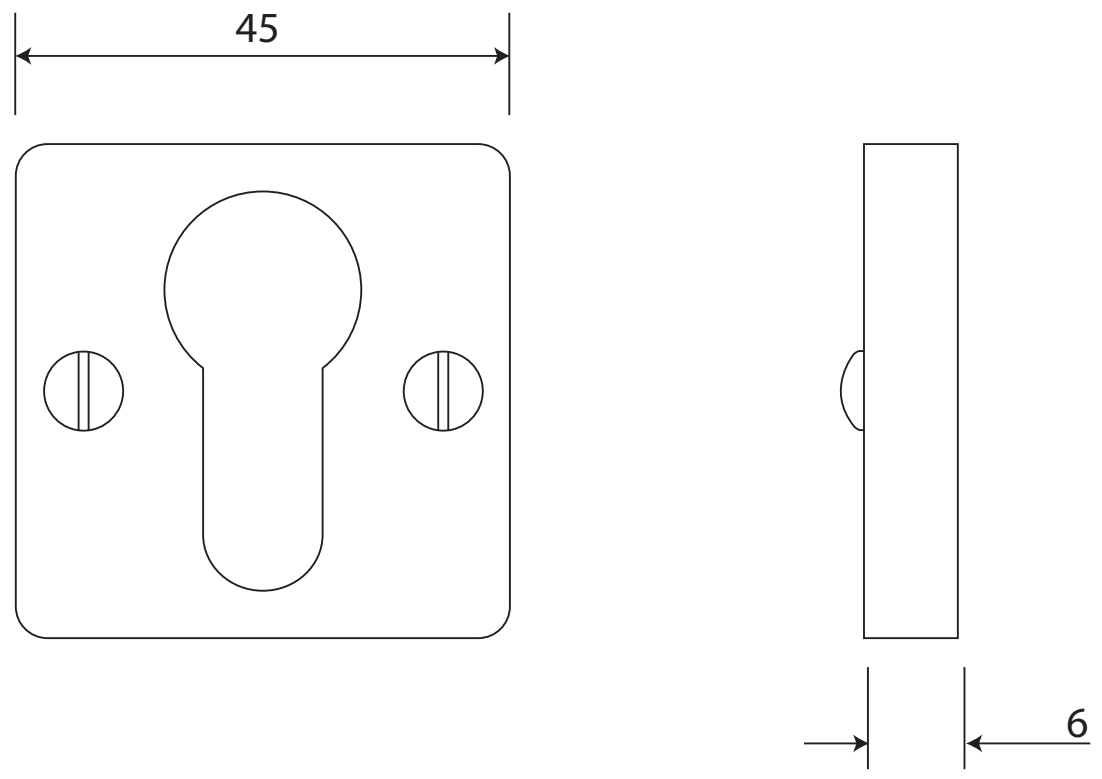


P/N.SB-ESC-EUR-718 ALL DIMENSIONS IN MM UNLESS STATED

THE CONTENTS OF THIS DRAWING ARE COPYRIGHT AND SHOULD NOT BE REPRODUCED WITHOUT THE PERMISSION OF DJH ENGINEERING



						QTY
			DESCRIPTION		DRG.	D. Urwin
			SB-ESC-EUR-718 Round Euro Escutcheon.		DATE	18/10/18
1	18/10/18		LT REF.	H:\Fines & Stonebridge Handle Hardware\Stonebridge-CAD\ Dim Dwgs\SB-ESC-EUR-718.pdf	SCALE	N/A
ISSUE	DATE	REVISION	MATL.	Forged Steel (natural black finish)	CODE	SB-ESC-EUR-718