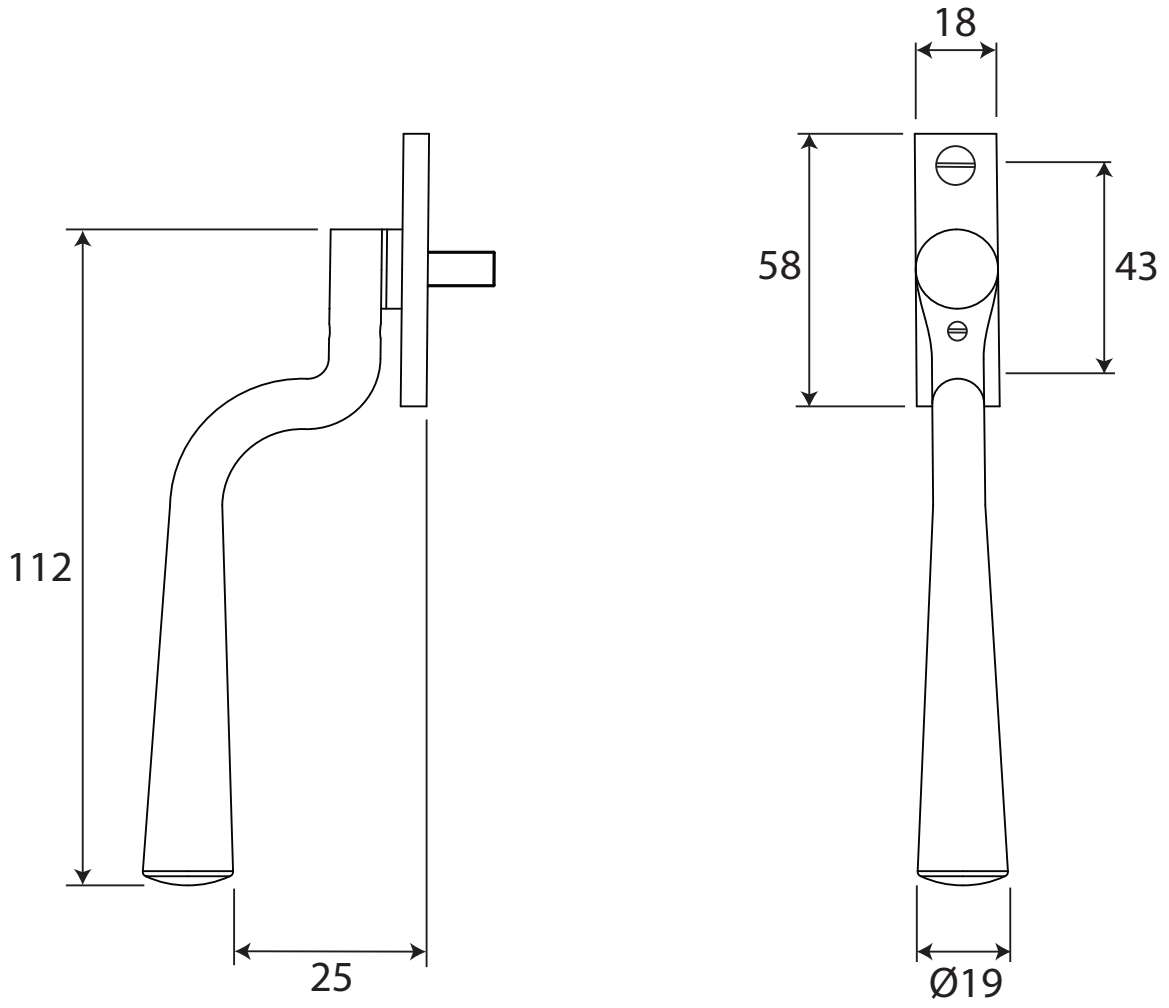


P/N.SB-ESP-PAD-242 ALL DIMENSIONS IN MM UNLESS STATED
 THE CONTENTS OF THIS DRAWING ARE COPYRIGHT AND SHOULD NOT BE REPRODUCED WITHOUT THE PERMISSION OF DJH ENGINEERING



						QTY
				DESCRIPTION	DRG.	D. Urwin
				SB-ESP-PAD-242 Padstow Espagnolette Handle.	DATE	22/10/18
1	22/10/18		LT REF.	H:\Finess & Stonebridge Handle Hardware\Stonebridge-CAD\ Dim Dwgs\SB-ESP-PAD-242.pdf	SCALE	N/A
ISSUE	DATE	REVISION	MATL.	Forged Steel (natural black finish)	CODE	SB-ESP-PAD-242