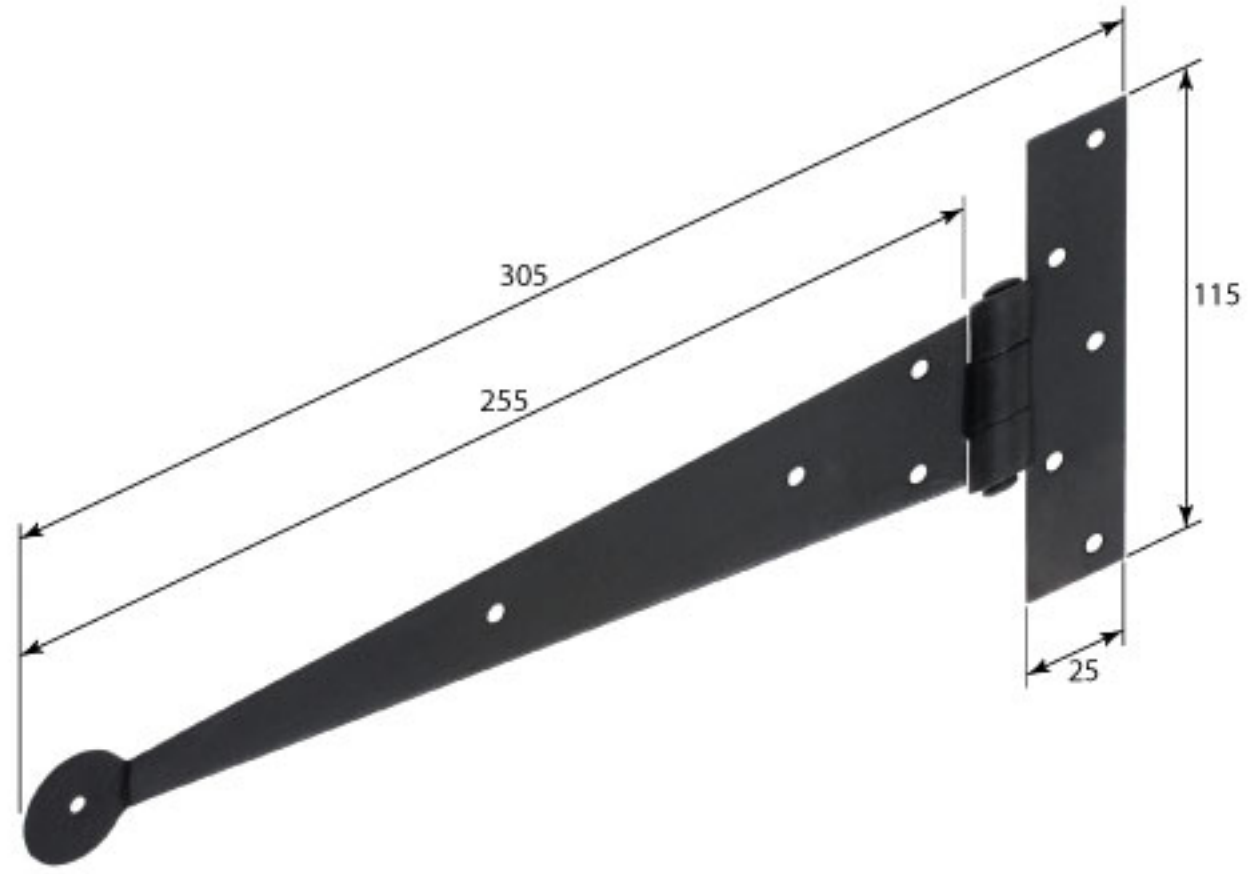


P/NSB-H-AH-132 ALL DIMENSIONS IN
MM UNLESS STATED
 THE CONTENTS OF THIS DRAWING ARE COPYRIGHT AND SHOULD NOT BE
 REPRODUCED WITHOUT THE PERMISSION OF DBH ENGINEERING



				QTY	
				DESCRIPTION	DRG.
				SB-H-AH-132 Penny End Hinge (12 inch).	D. Urwin
				DATE	03/10/18
1	03/10/18		LT REF.	H:\Finest & Stonebridge Handle Hardware\Stonebridge-CAD\Dim Dwgs\SB-H-AH-132.pdf	SCALE
ISSUE	DATE	REVISION	MATL.	Forged Steel (natural black finish)	CODE
					N/A
					SB-H-AH-132