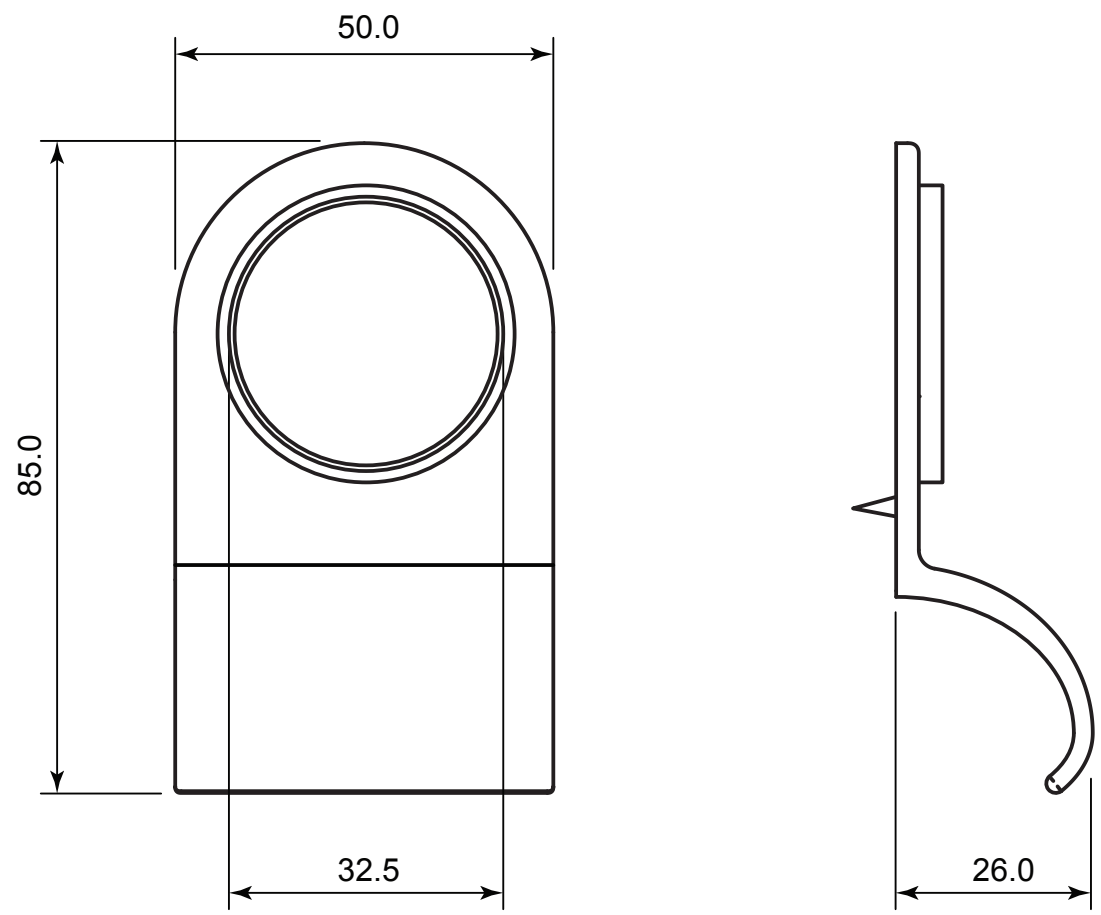


P/N. FB1302 ALL DIMENSIONS IN
MM UNLESS STATED

THE CONTENTS OF THIS DRAWING ARE COPYRIGHT AND SHOULD NOT BE
REPRODUCED WITHOUT THE PERMISSION OF DJH ENGINEERING



						QTY
				DESCRIPTION	DRG.	D. Urwin
				FB1302 Yale Cylinder Pull	DATE	28/01/19
1	28/01/19		LT REF.	H:\Finess & Stonebridge Handle Hardware\Stonebridge-CAD\ Dim Dwgs\FB1302.pdf	SCALE	N/A
ISSUE	DATE	REVISION	MATL.	Forged Steel (flat black finish)	CODE	FB1302