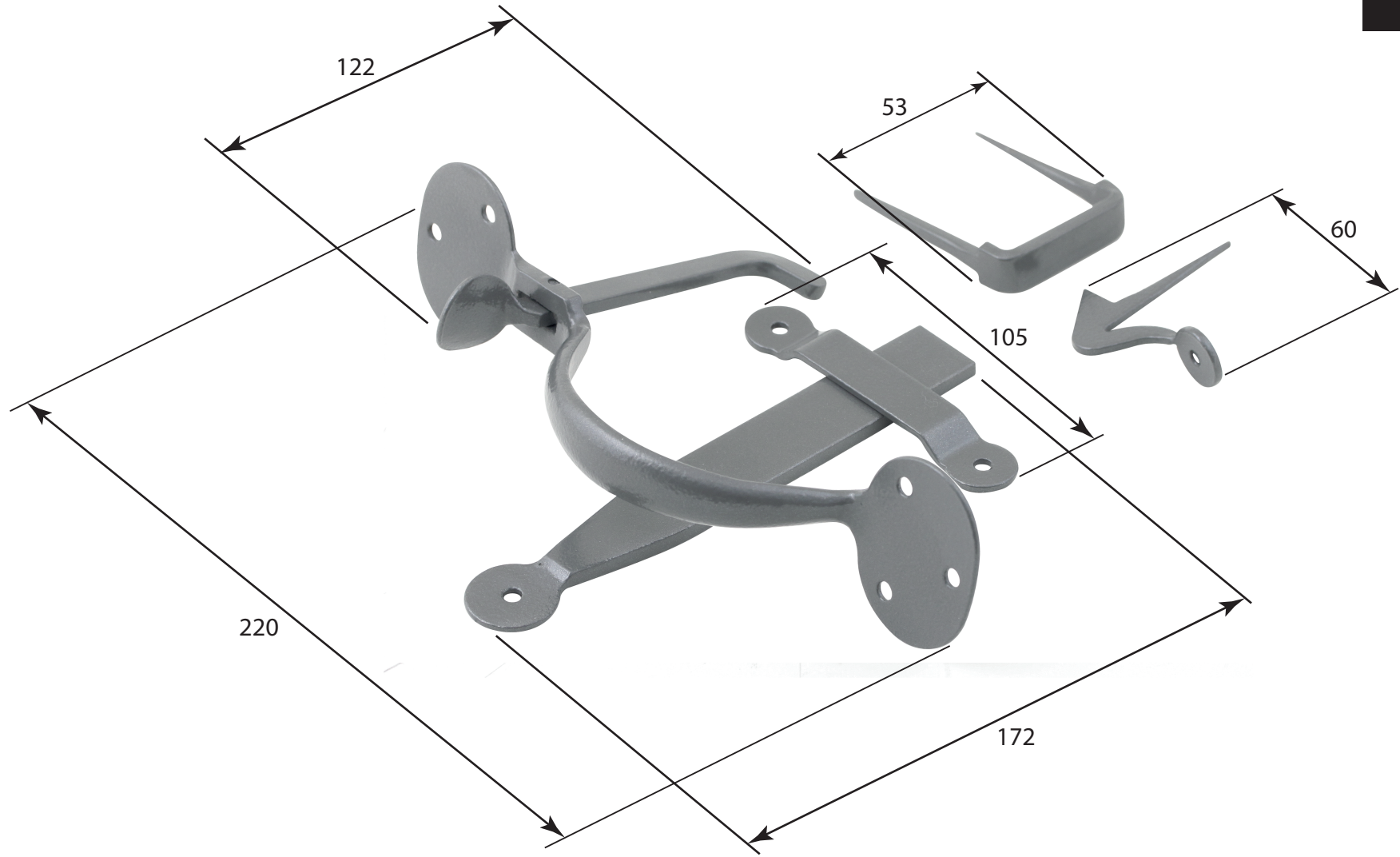


P/N. FB112 & SS712
ALL DIMENSIONS IN MM UNLESS STATED
 THE CONTENTS OF THIS DRAWING ARE COPYRIGHT AND SHOULD NOT BE REPRODUCED WITHOUT THE PERMISSION OF DJH ENGINEERING

NOTE: FOR ACTUAL COLOUR REFER TO MAIN WEB PAGE FOR THESE ITEMS. COLOUR SHOWN HERE IS FOR DIMENSION PURPOSES ONLY.



				QTY	
			DESCRIPTION	DRG.	D. Urwin
			Bean End Thumb Latch Set.	DATE	03/10/18
1	03/10/18		LT REF.	SCALE	N/A
ISSUE	DATE	REVISION	MATL.	CODE	FB112 & SS712
			H:\Finess & Stonebridge Handle Hardware\Stonebridge-CAD\ Dim Dwgs\FB112&SS712.pdf		
			Forged Steel (Flat Black -FB112 & Satin Steel - SS712)		