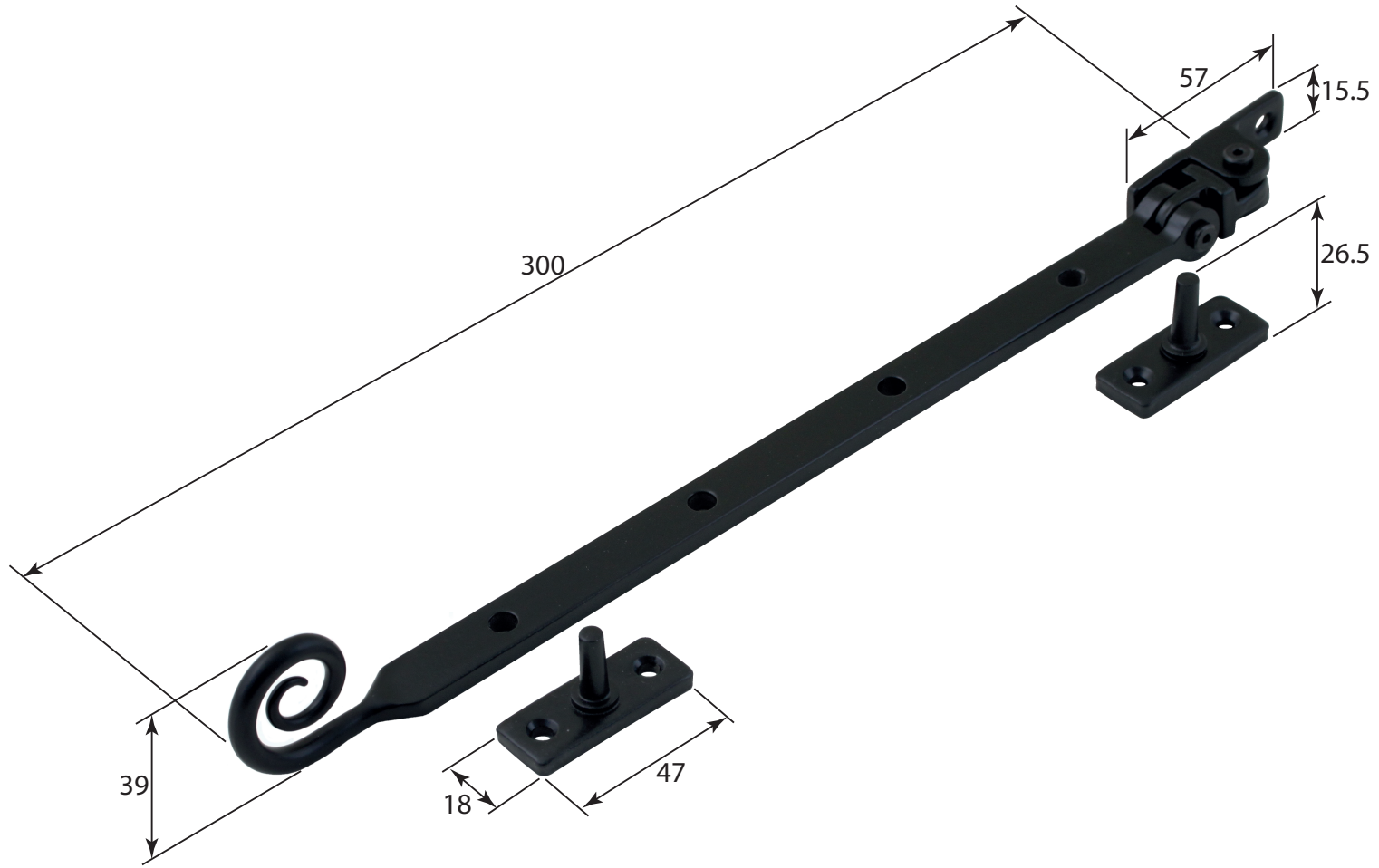


P/N. FB1083 & SS1052 **ALL DIMENSIONS IN MM UNLESS STATED**  
 THE CONTENTS OF THIS DRAWING ARE COPYRIGHT AND SHOULD NOT BE REPRODUCED WITHOUT THE PERMISSION OF DJH ENGINEERING



**NOTE:** FOR ACTUAL COLOUR REFER TO MAIN WEB PAGE FOR THESE ITEMS. COLOUR SHOWN HERE IS FOR DIMENSION PURPOSES ONLY.

						QTY
				<b>DESCRIPTION</b>	<b>DRG.</b>	D. Urwin
				Curl Window Stay (12") .	<b>DATE</b>	03/10/18
1	03/10/18		<b>LT REF.</b>	H:\Finess & Stonebridge Handle Hardware\Stonebridge-CAD\ Dim Dwgs\FB1083&SS1052.pdf	<b>SCALE</b>	N/A
<b>ISSUE</b>	<b>DATE</b>	<b>REVISION</b>	<b>MATL.</b>	Forged Steel (Flat Black -FB1083 & Satin Steel - SS1052)	<b>CODE</b>	FB1083 & SS1052