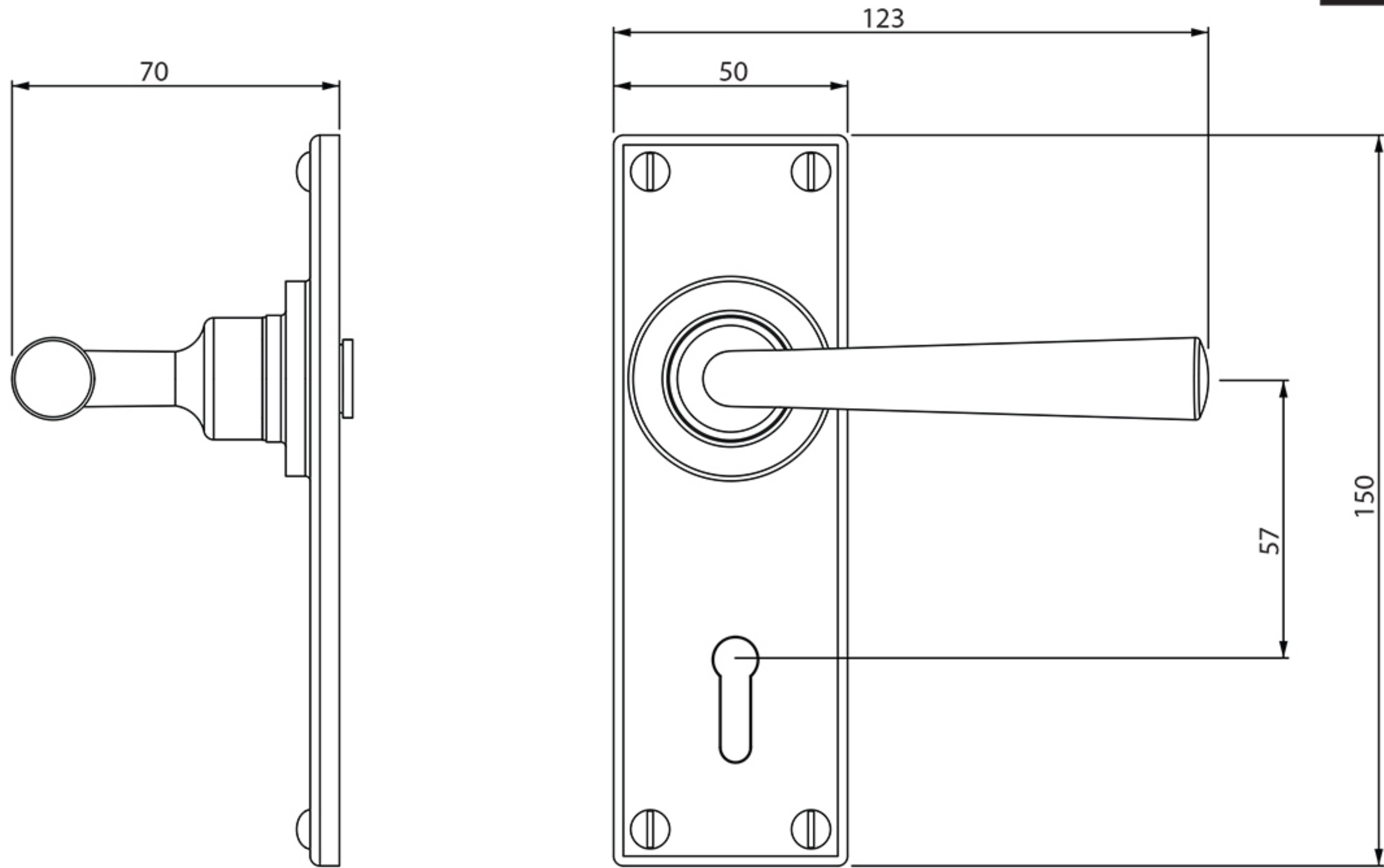


Stonebridge Lever
Lock/Keyhole Backplate

ALL DIMENSIONS IN
MM UNLESS STATED

THE CONTENTS OF THIS DRAWING ARE COPYRIGHT AND SHOULD NOT BE
REPRODUCED WITHOUT THE PERMISSION OF DJH ENGINEERING



				QTY		
		FOR ACTUAL COLOUR REFER TO MAIN WEB PAGE FOR THIS ITEM.	DESCRIPTION Stonebridge Lever Lock/Keyhole Backplate (Padstow).		DRG.	D. Urwin
					DATE	03/10/18
1	03/10/18	COLOUR HERE FOR DIMENSION PURPOSES ONLY.	LT REF.	H:\Finess & Stonebridge Handle Hardware/Stonebridge-CAD/ Dim Dwgs/pdf	SCALE	N/A
ISSUE	DATE		MATL.	Forged Steel (flat black & satin steel)	CODE	Lever Lock On Backplate