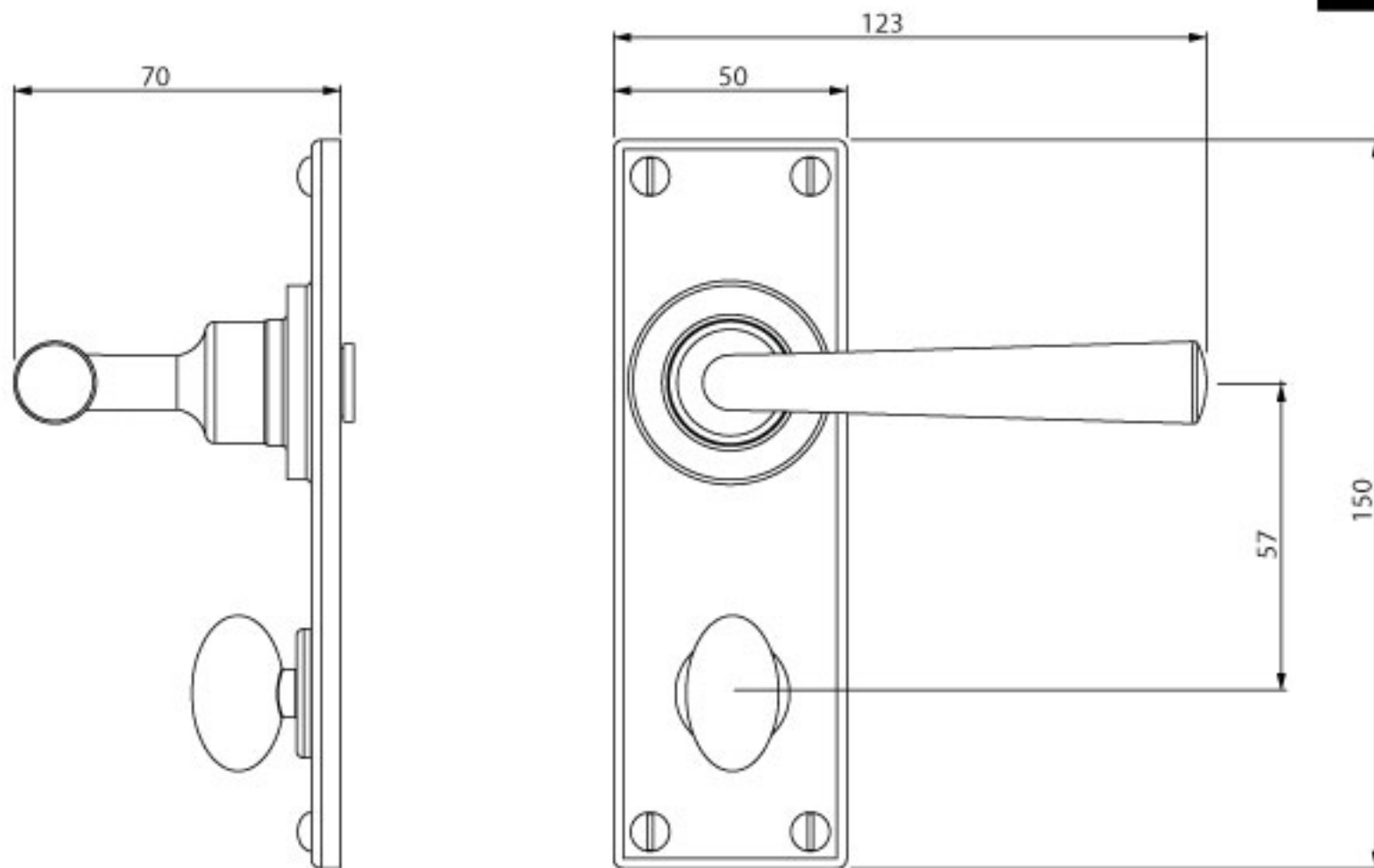


P/N. SB-L-PAD-004

ALL DIMENSIONS IN
MM UNLESS STATEDTHE CONTENTS OF THIS DRAWING ARE COPYRIGHT AND SHOULD NOT BE
REPRODUCED WITHOUT THE PERMISSION OF DBH ENGINEERING


STONEBRIDGE
HANDFORGED ARCHITECTURAL DOMINGERY



					QTY
			DESCRIPTION	DRG.	D. Urwin
			SB-L-PAD-004 Padstow Door Lever Bathroom Backplate.	DATE	03/10/18
1	03/10/18		LT REF.	SCALE	N/A
ISSUE	DATE	REVISION	MATL.	CODE	SB-L-PAD-004
			H\Fines & Stonebridge Handle Hardware/Stonebridge CAD/Dim Dwgs/SB-L-PAD-004.pdf		
			Forged Steel (natural black finish)		